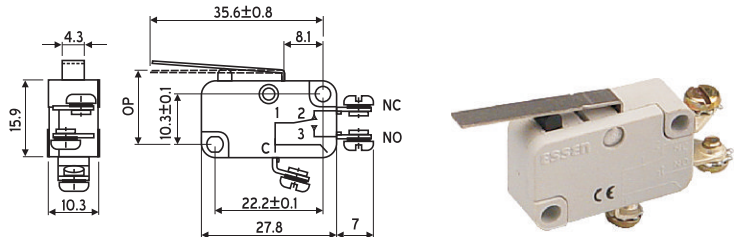


Long plain lever (27.5 mm.)

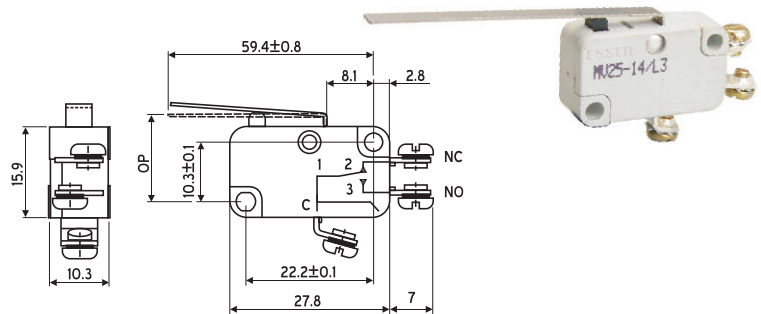
Ordering code	Actuating force	Release force
MV25()4L2	250 gms. (max.)	25 gms. (min.)
MV25()2L2	125 gms. (max.)	14 gms. (min.)
MV25()1L2	60 gms. (max.)	6 gms. (min.)
MV25()0L2	30 gms. (max.)	5 gms. (min.)

Pretravel (PT)	4.0 mm. (max.)
Overtravel	1.6 mm.
Movement differential	1.5 mm. (max.)
Operating position (OP)	15.2±1.2 mm.


Extra long plain lever (51.3 mm.)

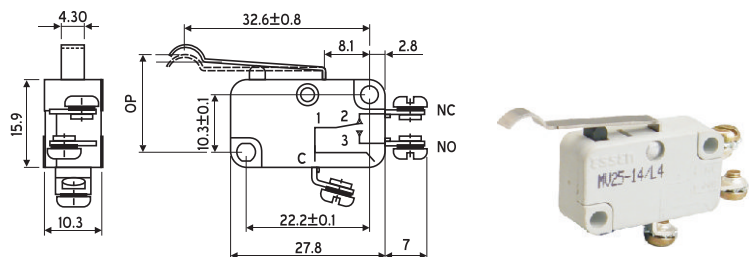
Ordering code	Actuating force	Release force
MV25()4L3	130 gms. (max.)	12 gms. (min.)
MV25()2L3	70 gms. (max.)	6 gms. (min.)
MV25()1L3	35 gms. (max.)	5 gms. (min.)
MV25()0L3	20 gms. (max.)	5 gms. (min.)

Pretravel (PT)	9.0 mm. (max.)
Overtravel	2.0 mm.
Movement differential	2.8 mm. (max.)
Operating position (OP)	15.2±2.6 mm.


Stimulated plain lever

Ordering code	Actuating force	Release force
MV25()4L4	250 gms. (max.)	25 gms. (min.)
MV25()2L4	125 gms. (max.)	14 gms. (min.)
MV25()1L4	60 gms. (max.)	6 gms. (min.)
MV25()0L4	30 gms. (max.)	5 gms. (min.)

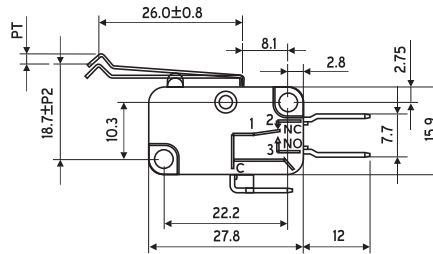
Pretravel (PT)	4.0 mm. (max.)
Overtravel	1.6 mm.
Movement differential	1.5 mm. (max.)
Operating position (OP)	18.7±1.2 mm.



'N' Bend lever

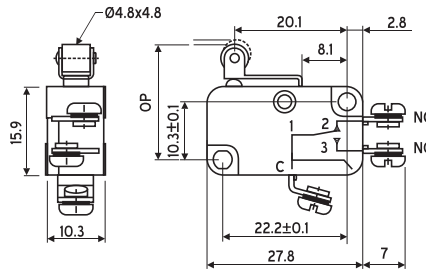
Ordering code	Actuating force	Release force
MV25()4L6	250 gms. (max.)	25 gms. (min.)
MV25()2L6	125 gms. (max.)	14 gms. (min.)
MV25()1L6	60 gms. (max.)	6 gms. (min.)
MV25()0L6	30 gms. (max.)	5 gms. (min.)

Pretravel (PT)	4.0 mm. (max.)
Overtravel	1.6 mm.
Movement differential	1.5 mm. (max.)
Operating position (OP)	18.7±0.2 mm.


Short roller lever (12 mm.)

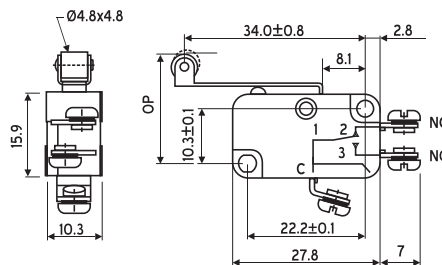
Ordering code	Actuating force	Release force
MV25()4R1	480 gms. (max.)	50 gms. (min.)
MV25()2R1	240 gms. (max.)	50 gms. (min.)
MV25()1R1	120 gms. (max.)	15 gms. (min.)
MV25()0R1	60 gms. (max.)	6 gms. (min.)

Pretravel (PT)	1.6 mm. (max.)
Overtravel	0.8 mm.
Movement differential	0.6 mm. (max.)
Operating position (OP)	20.7±0.6 mm.


Long roller lever (25.9 mm.)

Ordering code	Actuating force	Release force
MV25()4R2	250 gms. (max.)	25 gms. (min.)
MV25()2R2	125 gms. (max.)	14 gms. (min.)
MV25()1R2	60 gms. (max.)	6 gms. (min.)
MV25()0R2	30 gms. (max.)	5 gms. (min.)

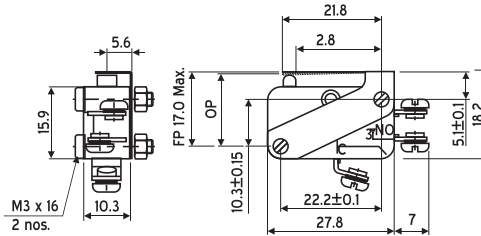
Pretravel (PT)	4.0 mm. (max.)
Overtravel	1.6 mm.
Movement differential	1.5 mm. (max.)
Operating position (OP)	20.7±1.6 mm.



Auxiliary actuators
Short leaf lever

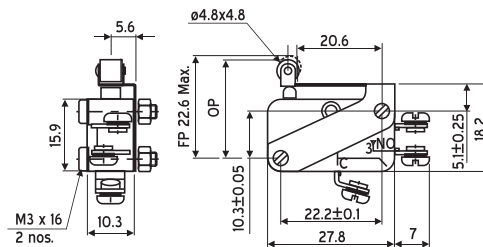
Ordering code	Actuating force	Release force
MV25()4L11	430 gms. (max.)	100 gms. (min.)
MV25()2L11	230 gms. (max.)	50 gms. (min.)
MV25()1L11	120 gms. (max.)	25 gms. (min.)
MV25()0L11	70 gms. (max.)	15 gms. (min.)

Pretravel (PT)	4.0 mm. (max.)
Overtravel	0.8 mm. (max.)
Movement differential	0.4 mm.
Operating position (OP)	14.9±0.5 mm.

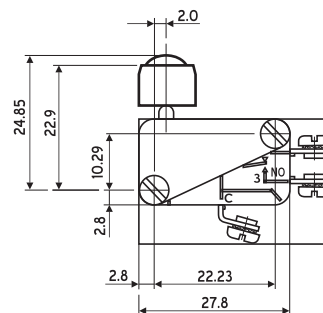

Roller leaf lever

Ordering code	Actuating force	Release force
MV25()4R11	430 gms. (max.)	100 gms. (min.)
MV25()2R11	230 gms. (max.)	50 gms. (min.)
MV25()1R11	120 gms. (max.)	25 gms. (min.)
MV25()0R11	70 gms. (max.)	15 gms. (min.)

Pretravel (PT)	1.6 mm. (max.)
Overtravel	0.8 mm. (max.)
Movement differential	0.4 mm. (max.)
Operating position (OP)	20.5±0.5 mm.

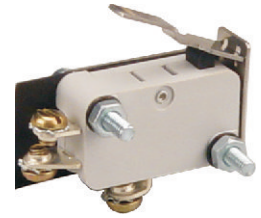
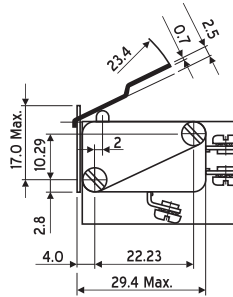

Ball actuator

Ordering code	MV25()4S*
---------------	-------------------

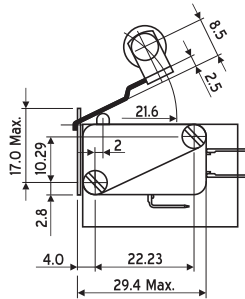


Auxiliary actuators
Hinged lever actuator

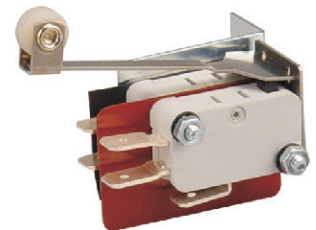
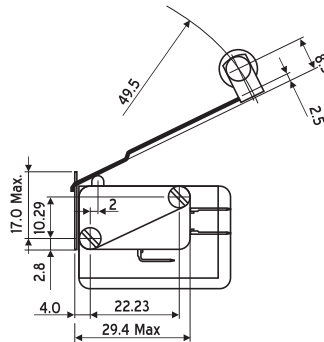
Ordering code **MV25()4HL11***


Hinged roller lever actuator

Ordering code **MV25()4HR11***


Hinged long roller lever actuator

Ordering code **2MV25()4HR12***



With mounting Ordering code - **2MV25()4HR12M***

* For other operating forces please consult factory

TERMINAL STYLE

- Solder : Omitted
- Screw(M3) {pan-head screw washer} : 1
- Quick connect {6.35 mm.} : 2
- Quick connect {4.75 mm.} : 3

The number appropriate to the terminal style is to be incorporated in bracket '(')' in ordering code of micro switch while placing the order.

TECHNICAL DATA:
MATERIALS :

- Contacts : Pure silver on copper
- Contact blades : Beryllium copper
- Plunger : Nylon
- Case : Glass filled thermoplastic UL94VO

ELECTRICAL RATING

LOAD	RATINGS (for micro switch with 400/200 gms. actuating force)
AC	16 Amp at 250V 5 Amp at 440V
DC (Resistive)	0.6 Amp at 110V 0.3 Amp at 220V
DC (Inductive)	0.1 Amp at 110V 0.05 Amp at 220V

Voltage proof	1500 VAC between each terminal and 1000VAC between open contacts
Contact resistance	15 milliohms max. (initial)
Insulation resistance	100Mohms min. at 500VDC
Electrical life	100,000 operations at rated load
Mechanical life	10,000,000 operations

ENVIRONMENTAL

Temperature -55°C to +85°C

APPLICATIONS :

Automotive, Machine control, Telecommunication equipments, Vending equipments, Security Products, Defence, Business automation machines, Instruments

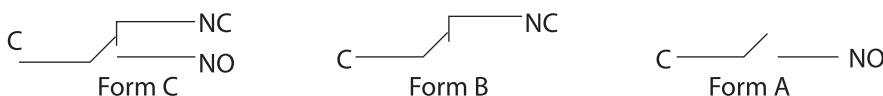
- Note :** (i) For 100 gms. actuating force rated current is 10 A at 250V AC
For 50 gms. actuating force rated current is 6 A at 250V AC
(ii) Knob Colour : Black - 400 gms., Red - 200 gms., Green - 100 gms., Yellow - 50 gms.
(iii) OF : Operating force FP : Free position OP : Operating position
RF : Release force MD : Movement differential
OT : Over travel PT : Pre travel

Kindly consult factory a) For micro switches with 1 NO (Form A) & 1 NC (Form B) contact arrangement.
b) For micro switches with other operating forces.
c) For micro switches with more accessories.

ORDERING CODE

SERIES	TERMINAL STYLE	CONTACT ARRANGEMENT	OPERATING FORCE	INTEGRAL LEVER
MV25	1	B	4	L1
	Solder : Omitted	Form C : Omitted	400 gms : 4	Without lever : Omitted
	Screw (M3) (pan-head screw washer) : 1	Form B : B	200 gms : 2	Short plain lever (14 mm) : L1
	Quick connect (6.35 mm.) : 2	Form A : A	100 gms : 1	Long plain lever (27.5 mm) : L2
	Quick connect (4.75 mm.) : 3		50 gms : 0	Extra long plain lever (50.1 mm) : L3
			25 gms : LF	Stimulated plain lever : L4
				'N' Bend lever : L6
				Short roller lever (12 mm) : R1
				Long roller lever (25.9 mm) : R2
				Short leaf lever : L11
				Roller leaf lever : R11

CIRCUIT FORM



All dimensions are in mm.
Due to continuous improvement in products, we reserve the right to alter specifications without prior notice

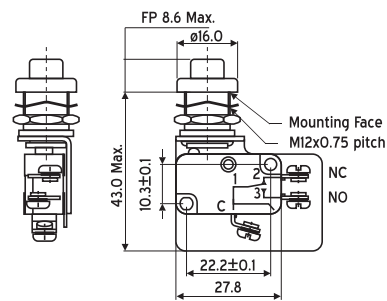
- Characteristics
- Versatile switch suitable for many heavy duty applications.
 - Compatible with all industry standard V3 switches.
 - Available with solder, quick connect and screw terminals.
 - Long mechanical and electrical life.
 - Fine silver contacts.
 - Temperature range upto 85°C.
 - Positive snap action.
 - Push buttons are available in Red, Green, Yellow, Blue, Black & White colours. State colour while ordering.
 - Conform to IEC 1058-1 standard.



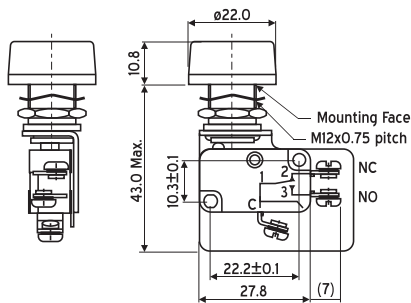
Approval



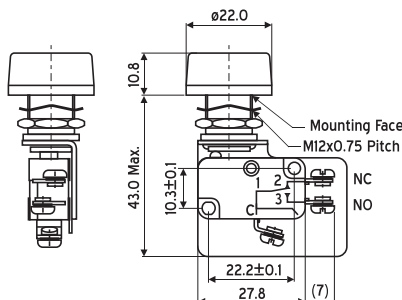
Ordering code	MV25()4 P1/*
Circuit facilities	Single pole changeover
Actuating force	400 gms. (max.)
Release force	80 gms. (min.)
Pretravel	1.2 mm. (max.)
Movement differential	0.40 mm (max.)
Centre distance between two adjacent units	19 mm. (min.)
Cut-out size	Ø12.5 mm.



Ordering code	MV25()4 P2/*
Circuit facilities	Single pole changeover
Actuating force	400 gms. (max.)
Release force	80 gms. (min.)
Pretravel	1.2 mm. (max.)
Movement differential	0.40 mm (max.)
Centre distance between two adjacent units	25.4 mm. (min.)
Cut-out size	Ø12.5 mm.

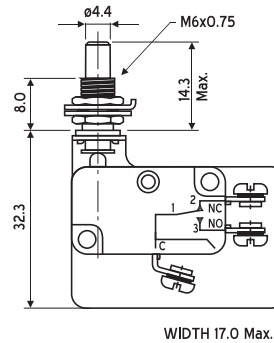


Ordering code	MV25()4 P3/*
Circuit facilities	Single pole changeover
Actuating force	400 gms. (max.)
Release force	80 gms. (min.)
Pretravel	1.2 mm. (max.)
Movement differential	0.40 mm (max.)
Centre distance between two adjacent units	25.4 mm. (min.)
Cut-out size	Ø12.5 mm.



Ordering code **MV25()4 P4/***

Circuit facilities	Single pole changeover
Actuating force	430 gms. (max.)
Release force	80 gms. (min.)
Pretravel	1.2 mm. (max.)
Movement differential	0.40 mm (max.)
Centre distance between two adjacent units	19 mm. (min.)
Cut-out size	Ø6.2 mm.



TERMINAL STYLE

Solder	: Omitted
Screw(M3) {pan-head screw washer}	: 1
Quick connect {6.35 mm}	: 2
Quick connect {4.75 mm}	: 3

The number appropriate to the terminal style is to be incorporated in bracket '(')' in ordering code of micro switch while placing the order.

Note :

- Add following suffix at * in the ordering code of micro switch for knob colour.
 Red = R Blue = BL
 Green = G Black = B
 Yellow = Y White = W
- Micro control switch MV25 - series can also be supplied with chrome plated metal shroud for P2 & P3 push button arrangements.
 Add suffix 'M' in ordering code. eg.: MV25() P2/* (for plastic shroud)
 MV25() P2M/* (for metal shroud)

ORDERING CODE

SERIES	TERMINAL STYLE	CONTACT ARRANGEMENT	OPERATING FORCE	PUSH BUTTON
MV25	1	B	4	P1
	Solder : Omitted	Form C : Omitted	400 gms : 4	P1
	Screw (M3) : 1 (pan-head screw washer)	Form B : B	200 gms : 2	P2
	Quick connect : 2 (6.35 mm)	Form A : A	100 gms : 1	P3
	Quick connect : 3 (4.75 mm)		50 gms : 0	P4

- Characteristics
- Versatile switch suitable for many heavy duty applications.
 - Double Pole change over.
 - Available with solder, quick connect and screw terminals.
 - Long mechanical and electrical life.
 - Fine silver contacts.
 - Temperature range upto 85°C.
 - Positive snap action.
 - Push buttons are available in Red, Green, Yellow, Blue, Black & White colours. State colour while ordering.
 - Conform to IEC 1058-1 standard.

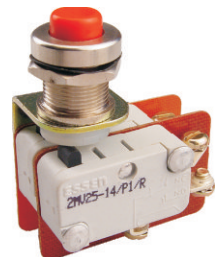
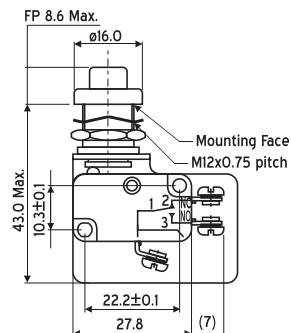
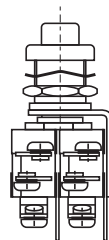


Approval



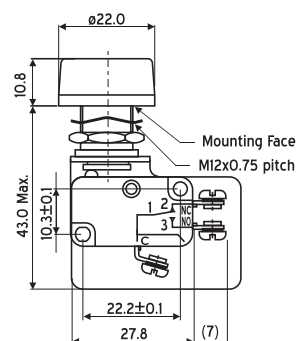
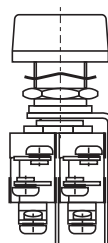
Ordering code **2MV25()4 P1/***

Circuit facilities	Double pole changeover
Actuating force	800 gms. (max.)
Release force	160 gms. (min.)
Centre distance between two adjacent units	29.0 mm. (min.)
Cut-out size	Ø12.5 mm.

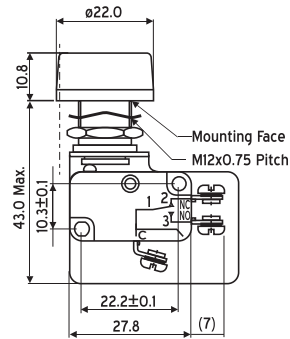
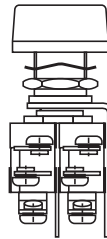


Ordering code **2MV25()4 P2/***

Circuit facilities	Double pole changeover
Actuating force	860 gms. (max.)
Release force	160 gms. (min.)
Centre distance between two adjacent units	29.0 mm. (min.)
Cut-out size	Ø12.5 mm.



Ordering code	2MV25()4 P3/*
Circuit facilities	Double pole changeover
Actuating force	800 gms. (max.)
Release force	160 gms. (min.)
Centre distance between two adjacent units	29.0 mm. (min.)
Cut-out size	Ø12.5 mm.



ELECTRICAL RATINGS

LOAD	RATINGS (for micro switch with 400/200 gms. actuating force)
AC	16 Amp at 250V 5 Amp at 440V
DC (resistive)	0.6 Amp at 110V 0.3 Amp at 220V
DC (inductive)	0.1 Amp at 110V 0.05 Amp at 220V

TERMINAL STYLE

Solder	: Omitted
Screw(M3) {pan-head screw washer}	: 1
Quick connect {6.35 mm}	: 2
Quick connect {4.75 mm}	: 3

The number appropriate to the Terminal style is to be incorporated in bracket '(')' in ordering code of micro switch while placing the order.

Note :

1. Add following suffix at * in the ordering code of micro switch for knob colour.

Red = R	Blue = BL
Green = G	Black = B
Yellow = Y	White = W

2. Micro control switch 2MV25 - series can also be supplied with chrome plated metal shroud for P2 & P3 push button arrangements.

Add suffix 'M' in ordering code. eg.: 2MV25() P2/* (for plastic shroud)
2MV25() P2M/* (for metal shroud)

3. For 100 gms. actuating force rated current is 10 A at 250V AC
For 50 gms. actuating force rated current is 6 A at 250V AC